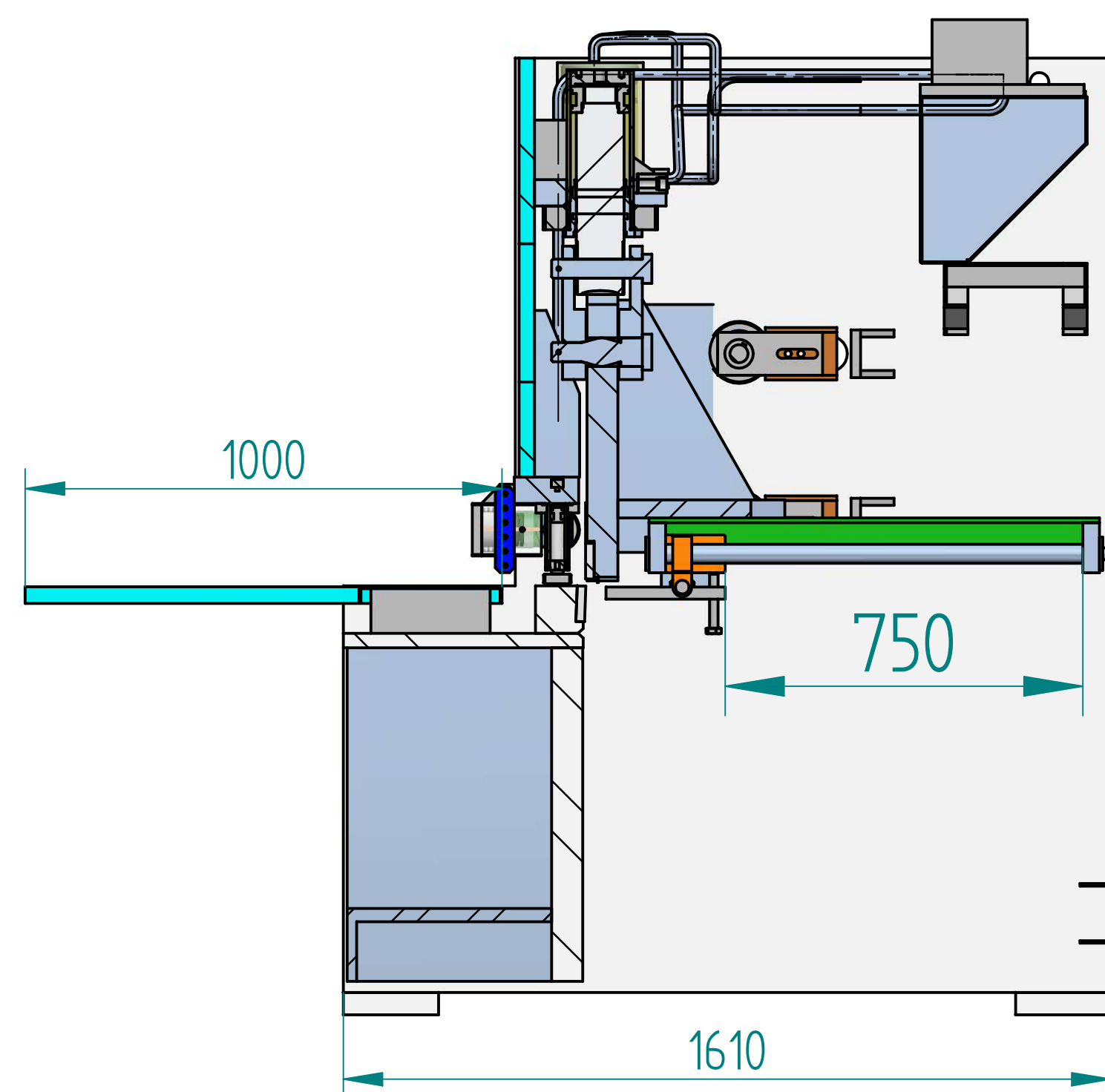
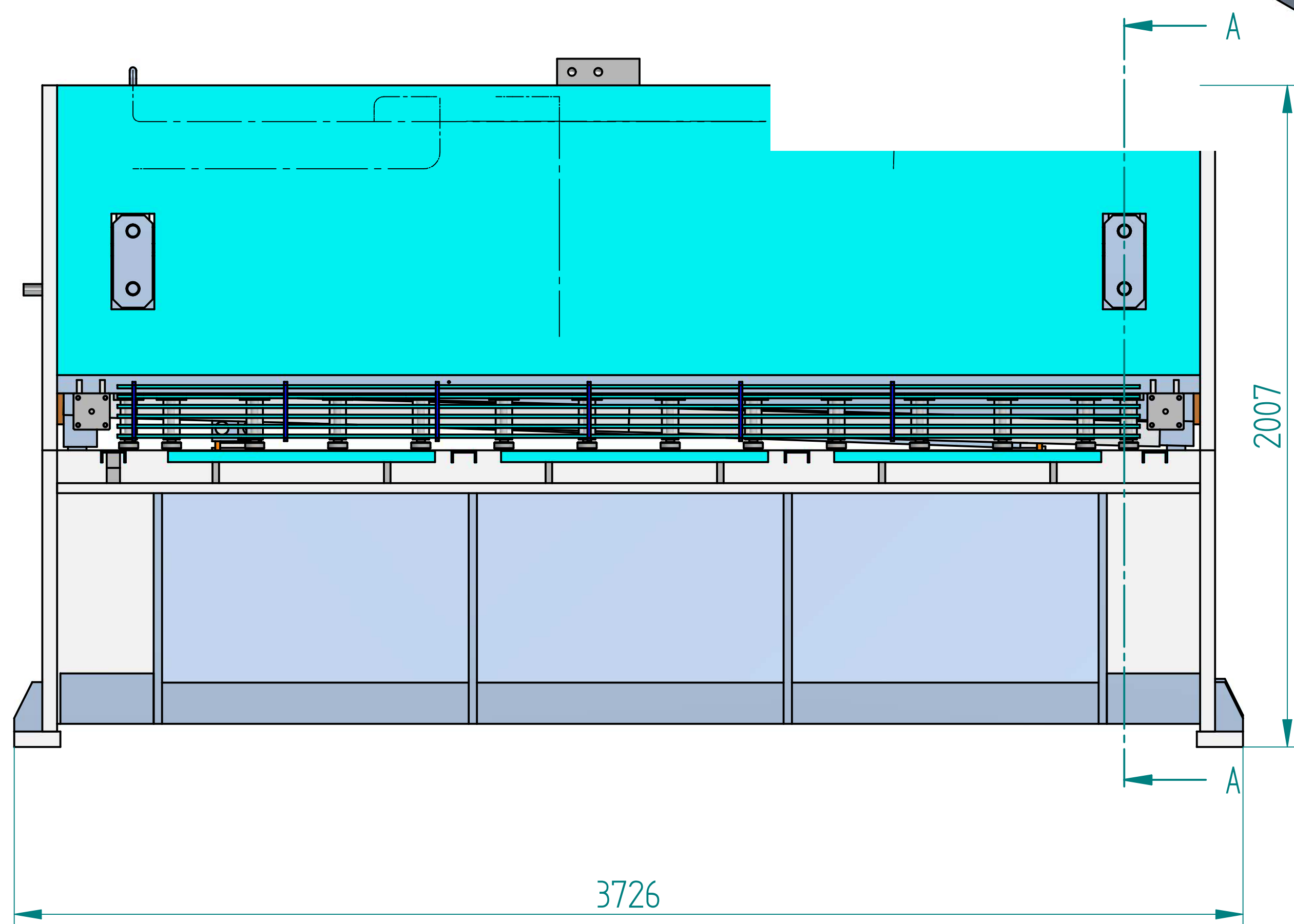


REVISIONS			
REV	DESCRIPTION	DATE	APPROVED

QC.

DT.

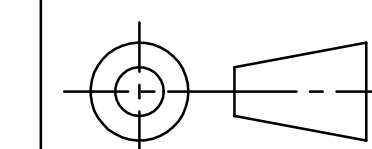


shearing machien 3200x8mm		
1	MOOLE	MHPL 832
2	PLATE S THICKNESS (mm)	8
3	rack angle	13
4	length of cut (mm)	3200
5	back gauge travel (mm)	750
6	motor (HP)	15
7	hyd oil tank (liter)	250
8	length (mm)	3725
9	width	1610
10	height	2005
11	working height	900
12	strokes per minute as full length	10
13	no of holding cylinder	13
14	number of front sheet supports.	4
15	length of squaring arm.	1000
16	weigh approx (mt)	8
17	working pressure (kg ² cm)	210
18	cylinder 1 bore	125
19	cylinder 1 tonnage	25.7
20	cylinder 2 bore	160
21	cylinder 2 tonnage	42.2
22	clamping cylinder bore	40
23	clamping cylinder tonnage	2.6



MICRO HYDROTECHNIC PVT . LTD

LINEAR DIMENSIONS		
0	TO 10	±0.05
10	TO 30	±0.10
30	TO 100	±0.15
100	TO 300	±0.20
300	TO 1000	±0.25
1000	TO 2000	±0.50



SCALE.
NTS.

JOB NO:--	TITLE:- 3200X8MM
DRAW BY:--NAVEEN	APPR. :--
CHKD BY:--	Q.C. :--
RETURN DATE :--	DRAWING NO:--
ISSUE DATE :--	QTY:-- 00
	MARTIAL:-- MS