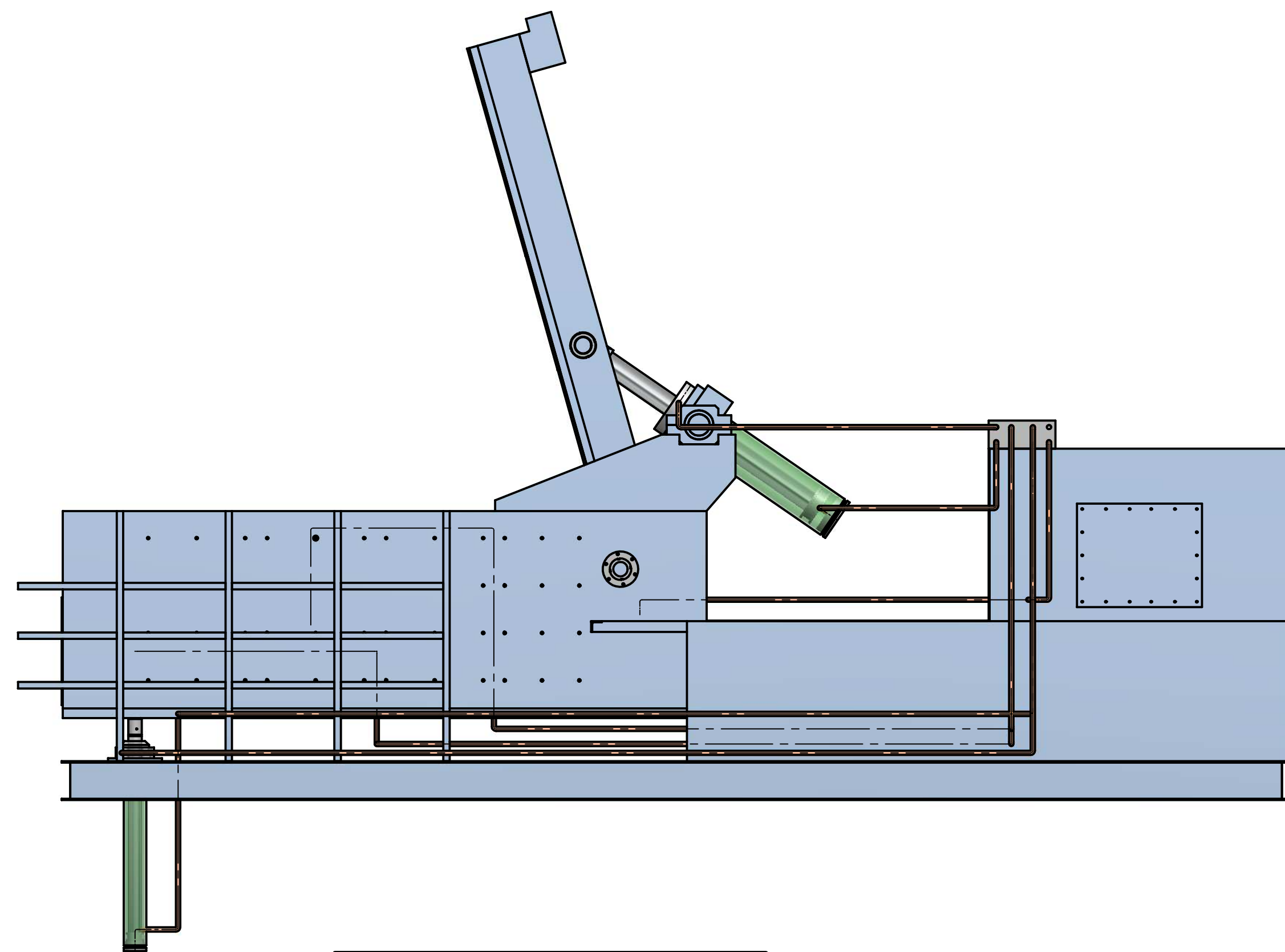
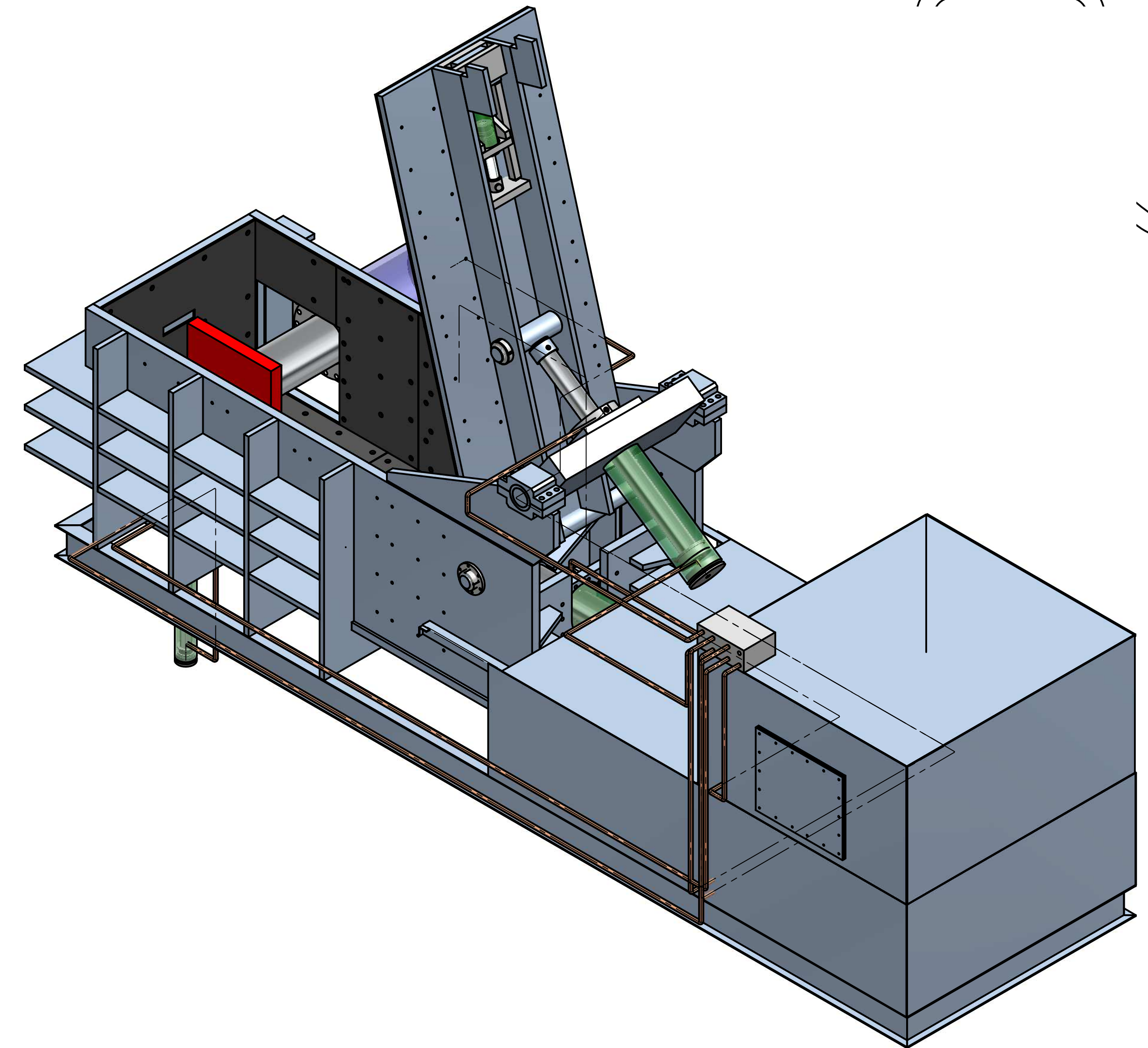
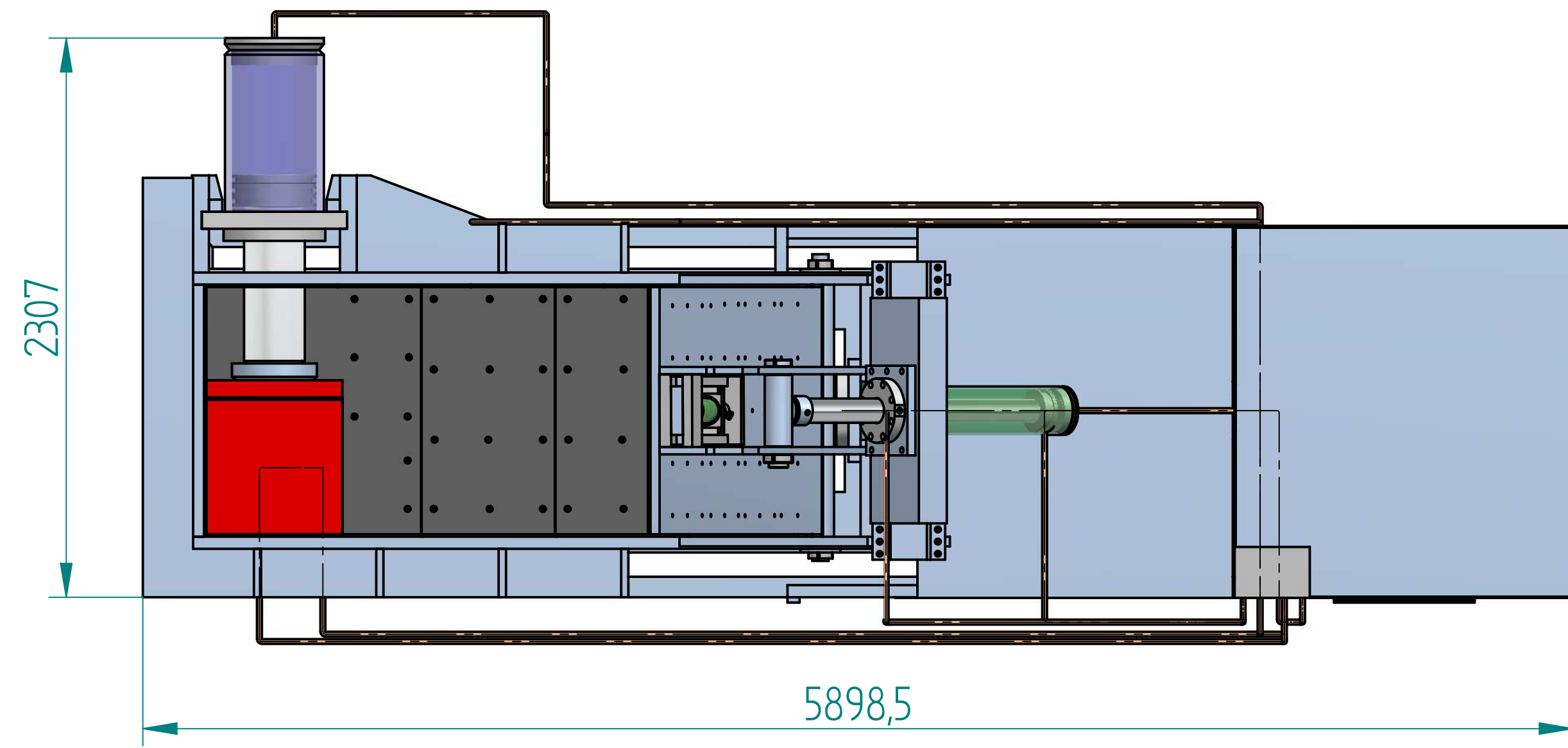


REVISIONS			
REV	DESCRIPTION	DATE	APPROVED

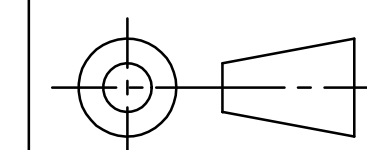


BOX SIZE	560X560X560
CHAMBER SIZE	101X914X2133
WORKING PR (BARI)	225
	PUSH FORCE (TONS)
MAIN CYLINDER	125
TILTING CYLINDER	57
LOCKING CYLINDER	7.010
SIDE CYLINDER	200
LIFTING CYLINDER	15



# MICRO HYDROTECHNIC PVT . LTD

LINEAR DIMENSIONS			JOB NO:-MHPL-7	TITLE:- BALLING PRESS 560X560X560	
0	TO 10	±0.05		DRAW BY:-NAVEEN	APPR. :-
10	TO 30	±0.10	CHKD BY:-		Q.C. :-
30	TO 100	±0.15		RETURN DATE :-	DRAWING NO:-
100	TO 300	±0.20	ISSUE DATE :-		QTY:-
300	TO 1000	±0.25			
1000	TO 2000	±0.50			



SCALE.  
NTS.