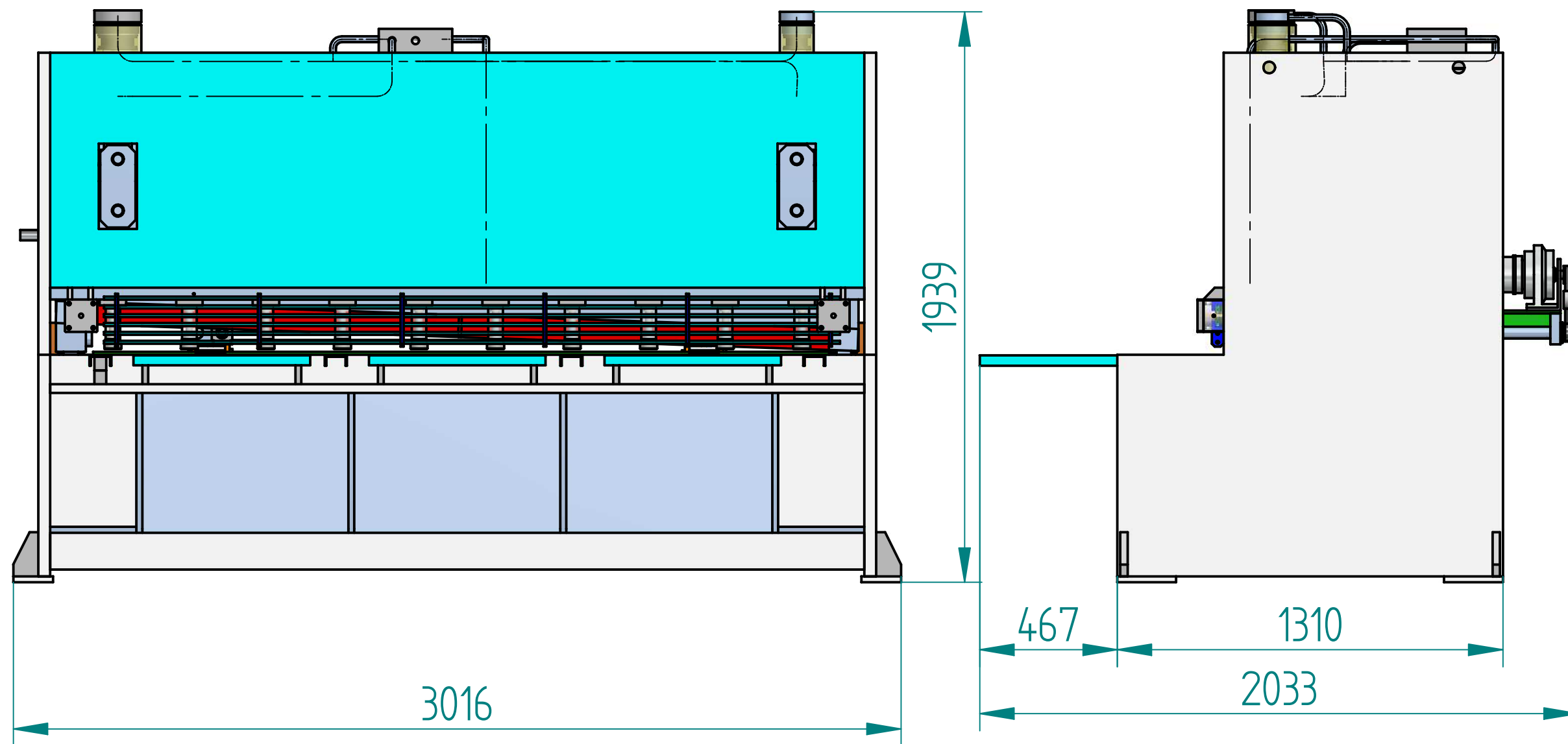
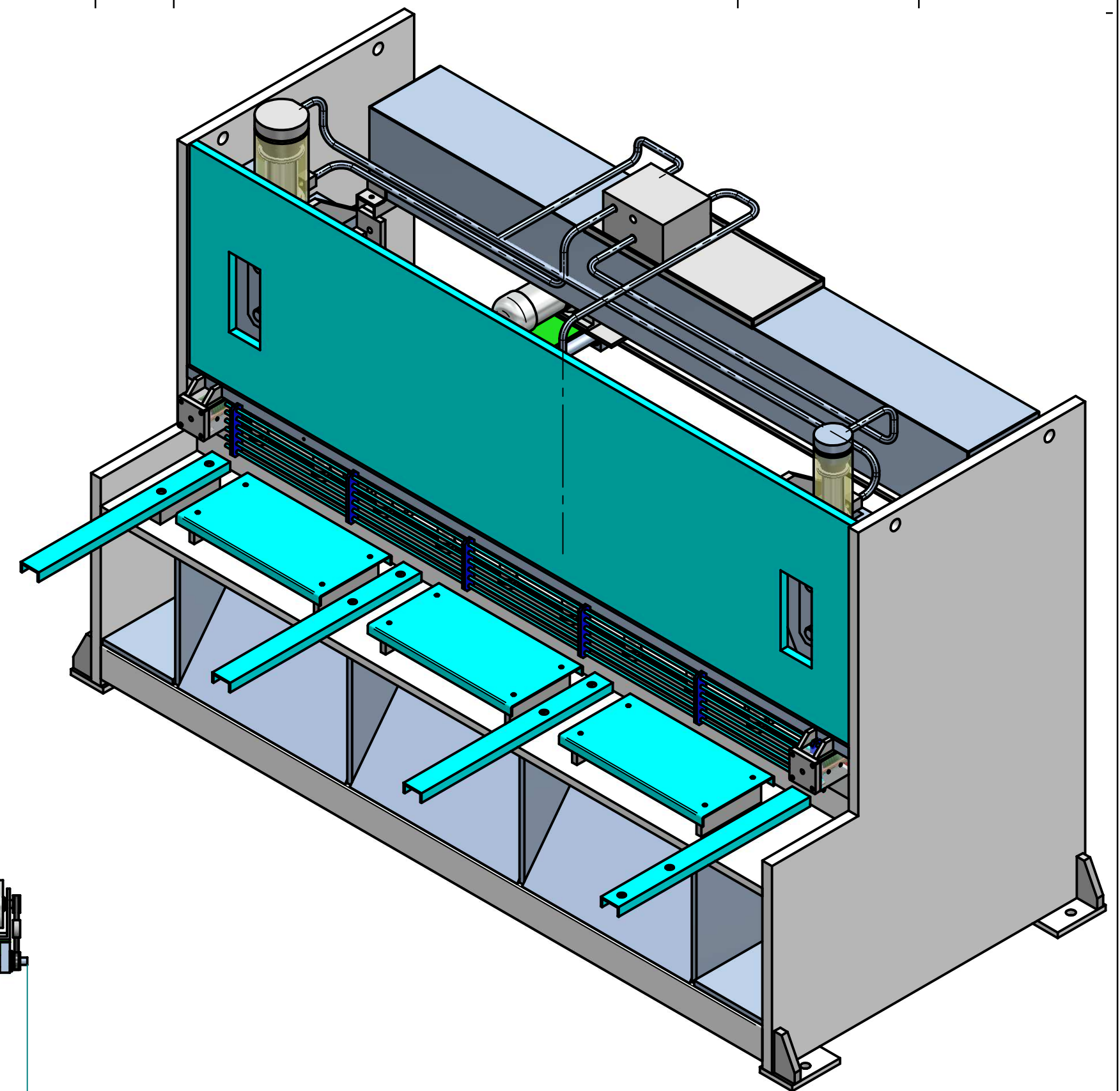

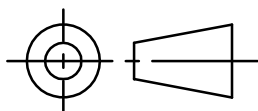


REVISIONS			
REV	DESCRIPTION	DATE	APPROVED

Machine specification		
sheet cutting size	2500x6	
back gauge movement	700 mm	
WORKING PR (BAR)	210	
	PUSH FORCE (TONS)	PULL FORCE IN (TONS)
cylinder 1	32.3	15.82
cylinder 2	16.48	8.4
clamping cylinder	2.63	1.6



 <b>MICRO HYDROTECHNIC PVT . LTD</b>		JOB NO:- 404		TITLE:- shearing machine 2500x6mm	
<b>LINEAR DIMENSIONS</b> 0 TO 10 ±0.05 10 TO 30 ±0.10 30 TO 100 ±0.15 100 TO 300 ±0.20 300 TO 1000 ±0.25 1000 TO 2000 ±0.50		DRAW BY:-NAVEEN		APPR. :-	
 SCALE:- NTS		CHKD BY:-		Q.C. :-	
		RETURN DATE :-		DRAWING NO:-M/C ASSEMBLY	
		ISSUE DATE :-		QTY:- 01	MATERIAL:- MS