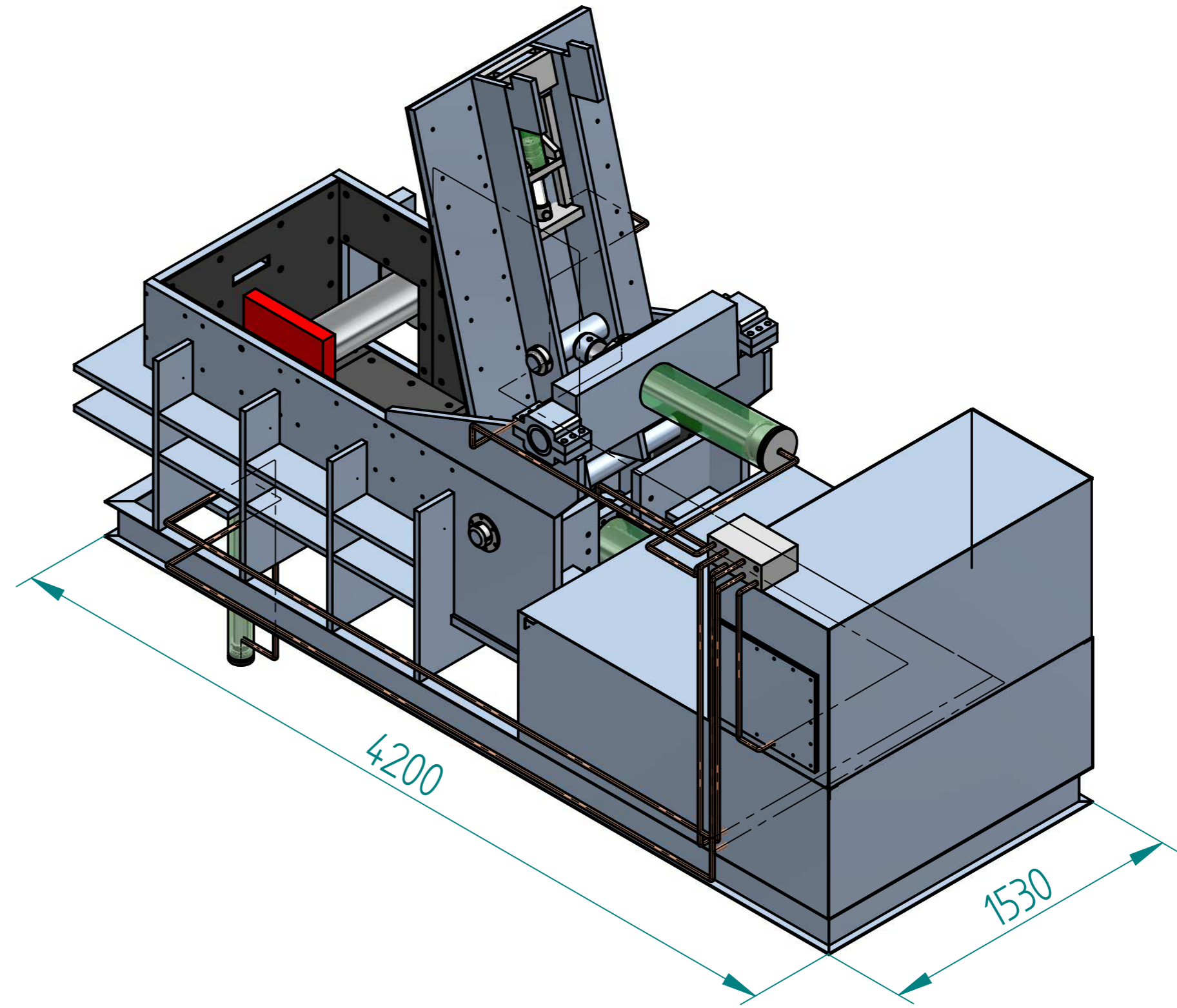

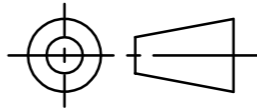


Machine specification	
BOX SIZE	460x460x460
CHAMBER SIZE	1525x1020x760
WORKING PR (BAR)	210
cyLinder	PUSH FORCE (TONS)
MAIN CYLINDER	85
TILTING CYLINDER	57
LOCKING CYLINDER	7
SIDE CYLINDER	158
LIFTING CYLINDER	14

REVISIONS			
REV	DESCRIPTION	DATE	APPROVED



 MICRO HYDROTECHNIC PVT . LTD		TITLE:- BALLING PRESS 460x460x460	
LINEAR DIMENSIONS		JOB NO:- MHPL-6	APPR. :-
0 TO 10	±0.05	DRAW BY:-NAVEEN	Q.C. :-
10 TO 30	±0.10		
30 TO 100	±0.15	CHKD BY:-	DRAWING NO:-
100 TO 300	±0.20		
300 TO 1000	±0.25	RETURN DATE :-	QTY:- 00
1000 TO 2000	±0.50	ISSUE DATE :-	
 SCALE:- NTS			