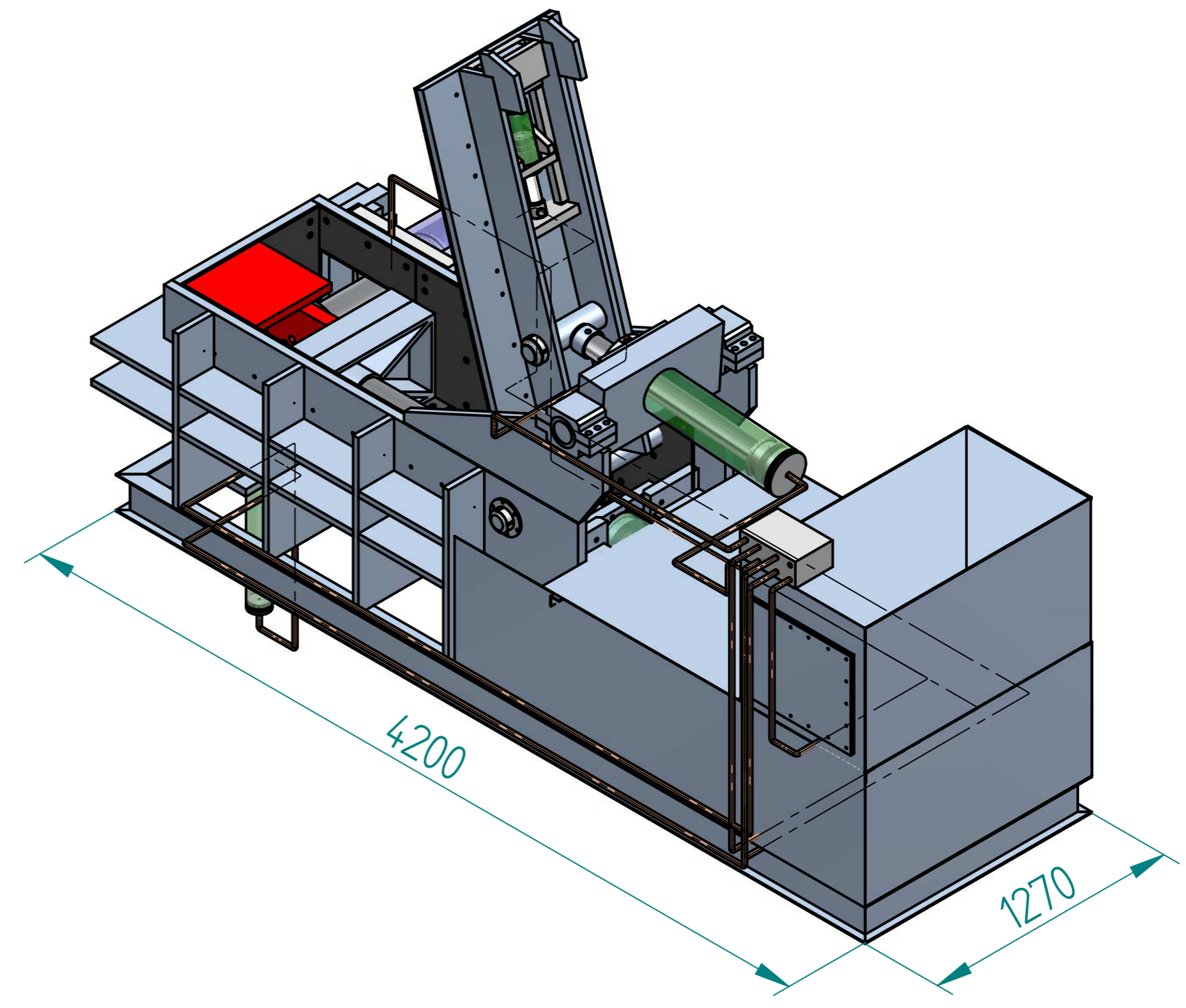
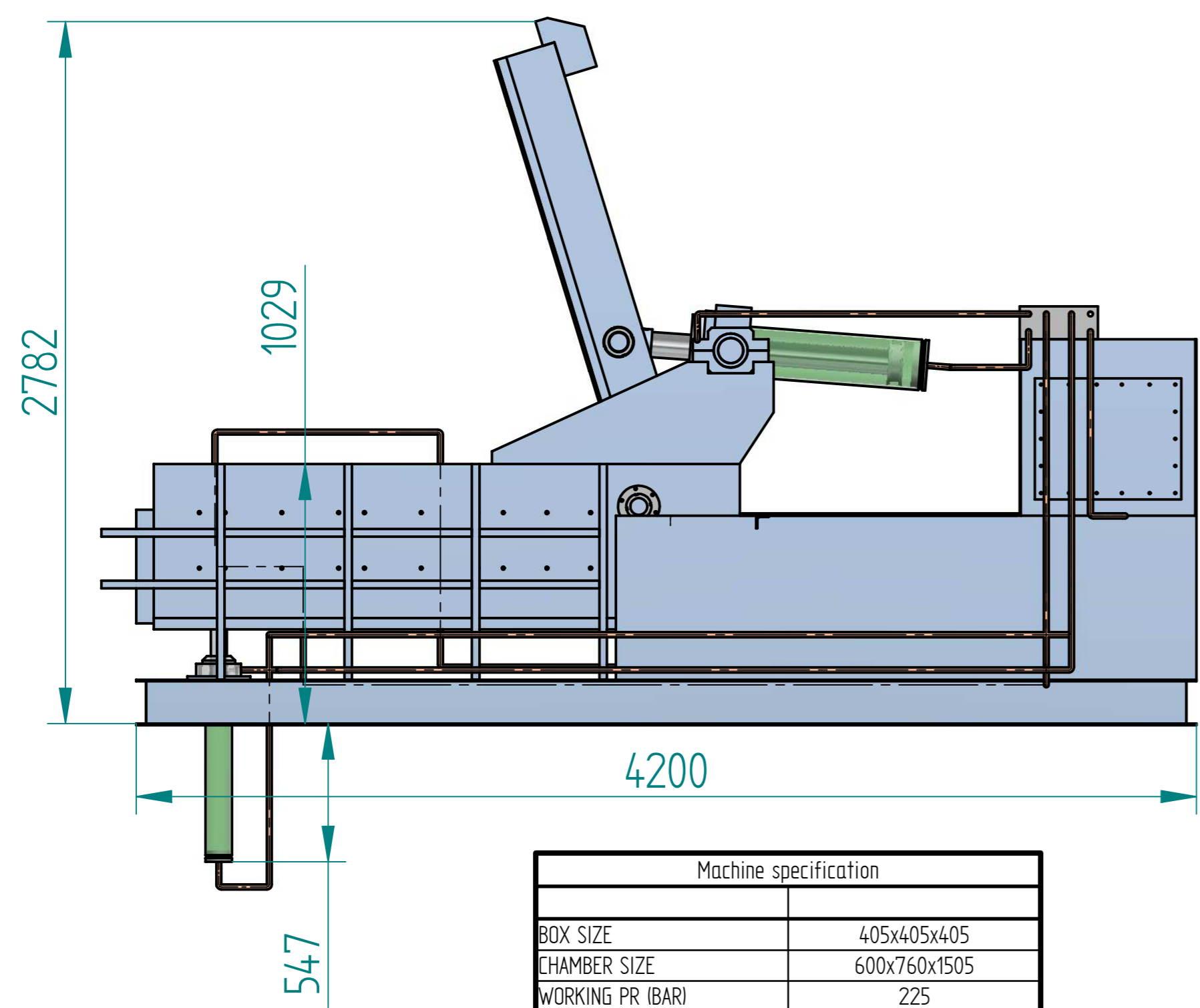
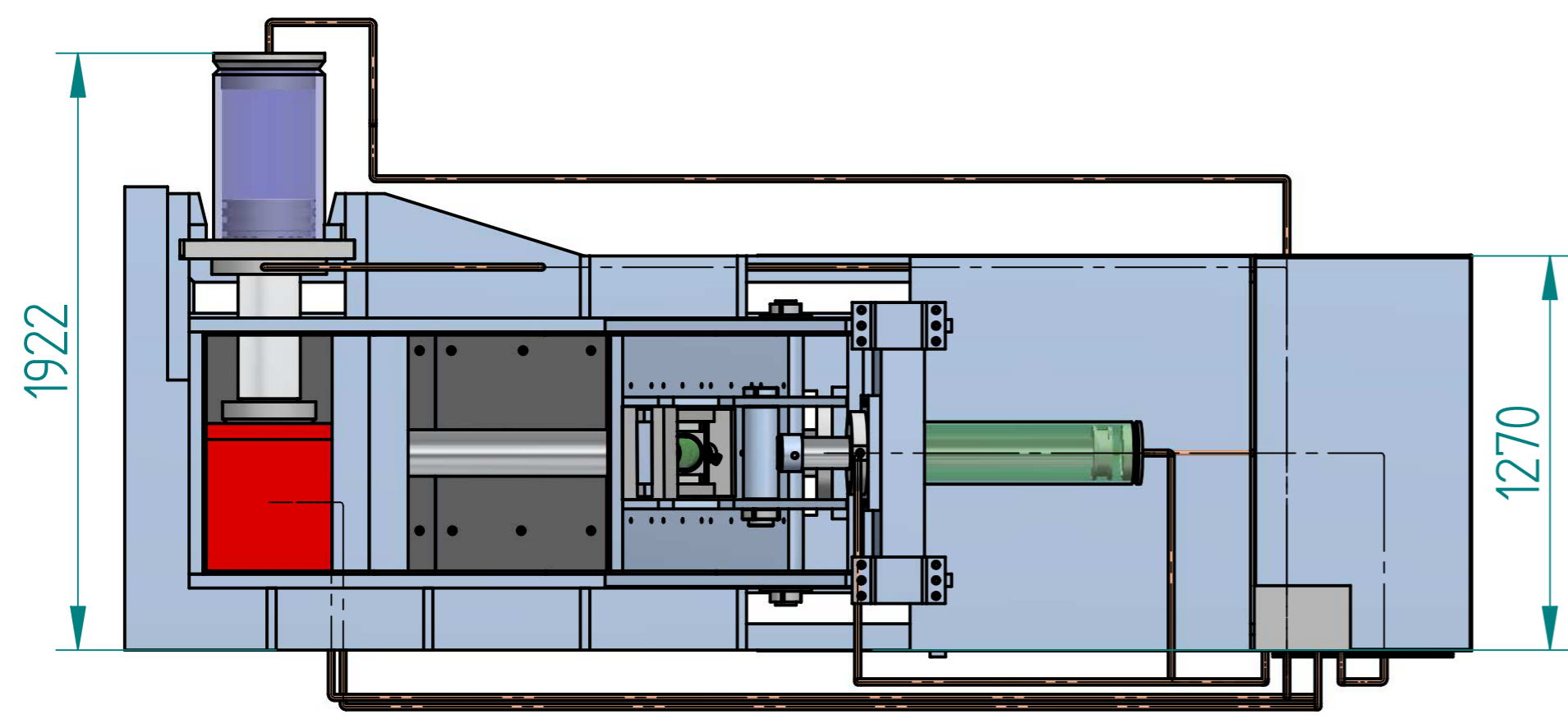


REVISIONS			
REV	DESCRIPTION	DATE	APPROVED



Machine specification	
BOX SIZE	405x405x405
CHAMBER SIZE	600x760x1505
WORKING PR (BAR)	225
Cylinder	PUSH FORCE (TONS)
MAIN CYLINDER	85
TILTING CYLINDER	57
LOCKING CYLINDER	7
SIDE CYLINDER	158
LIFTING CYLINDER	14
HOPPER	-

MICRO HYDROTECHNIC PVT . LTD	LINEAR DIMENSIONS		JOB NO:- MHPL-5 TITLE:- BALLING PRESS 405x405x405
	0 TO 10	±0.05	
10 TO 30	±0.10	CHKD BY:-	
30 TO 100	±0.15		RETURN DATE :- ISSUE DATE :-
100 TO 300	±0.20	Q.C. :- DRAWING NO:-	
300 TO 1000	±0.25		QTY:- 00 MARTIAL:- MS
1000 TO 2000	±0.50	SCALE:- NTS	