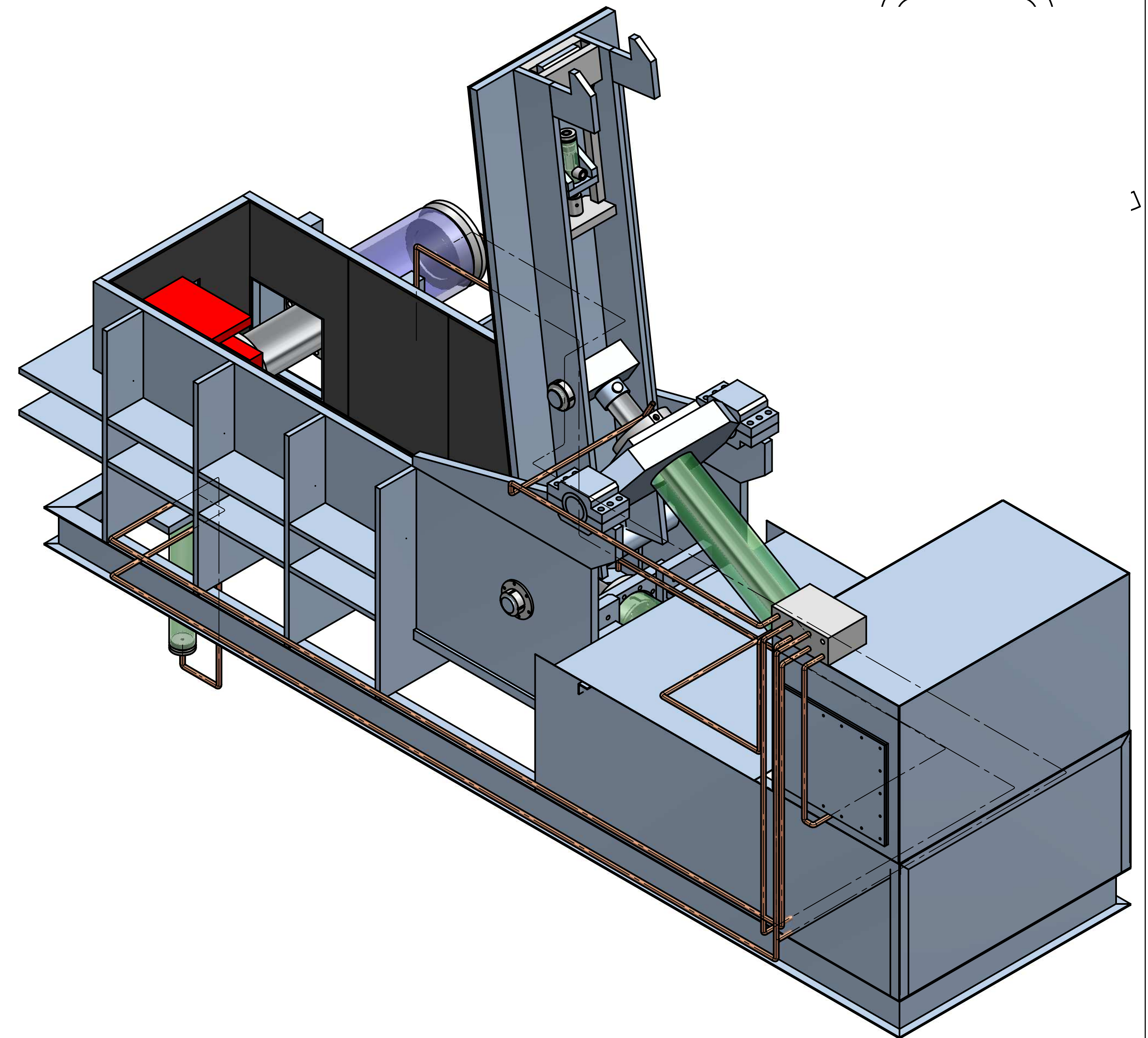
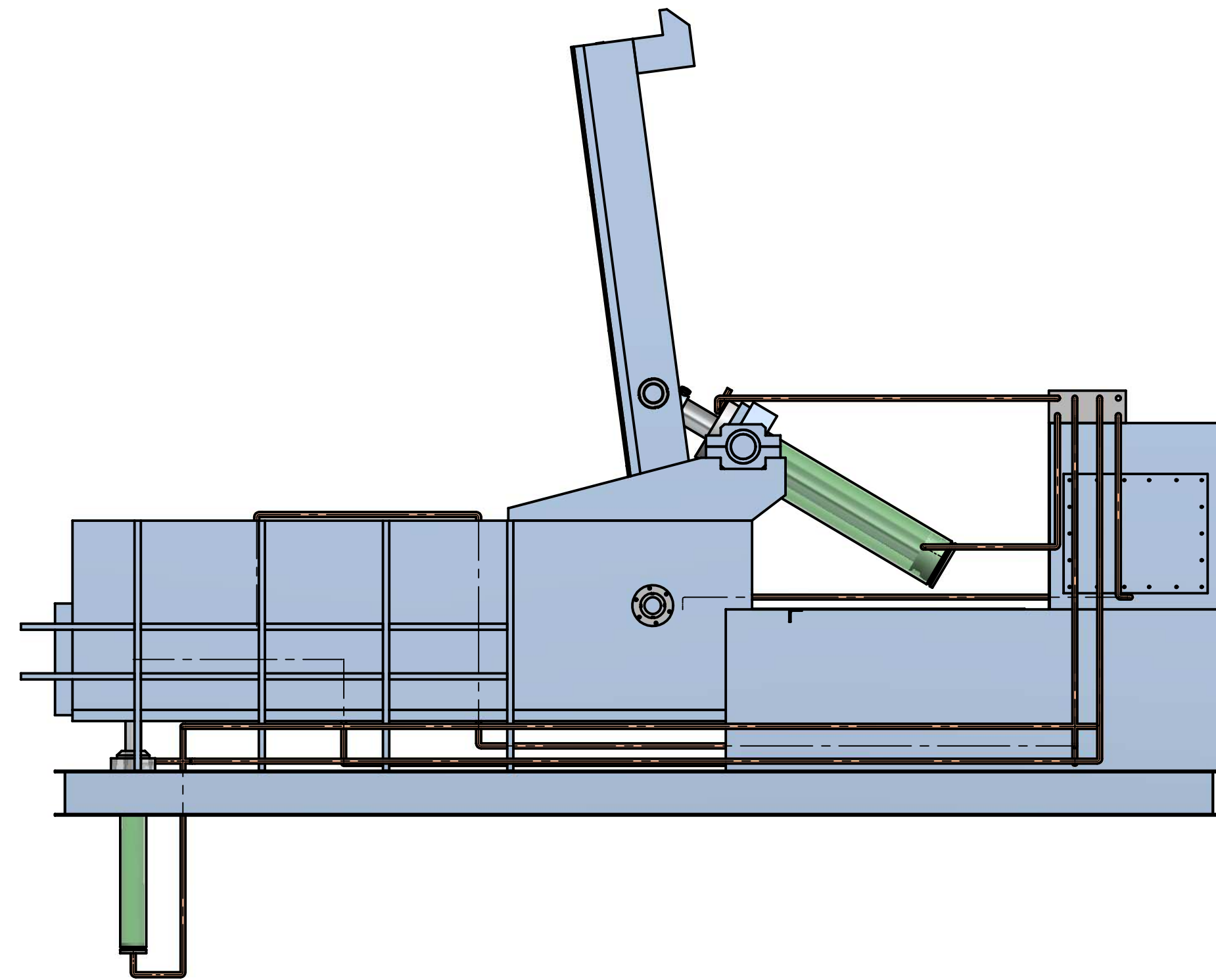
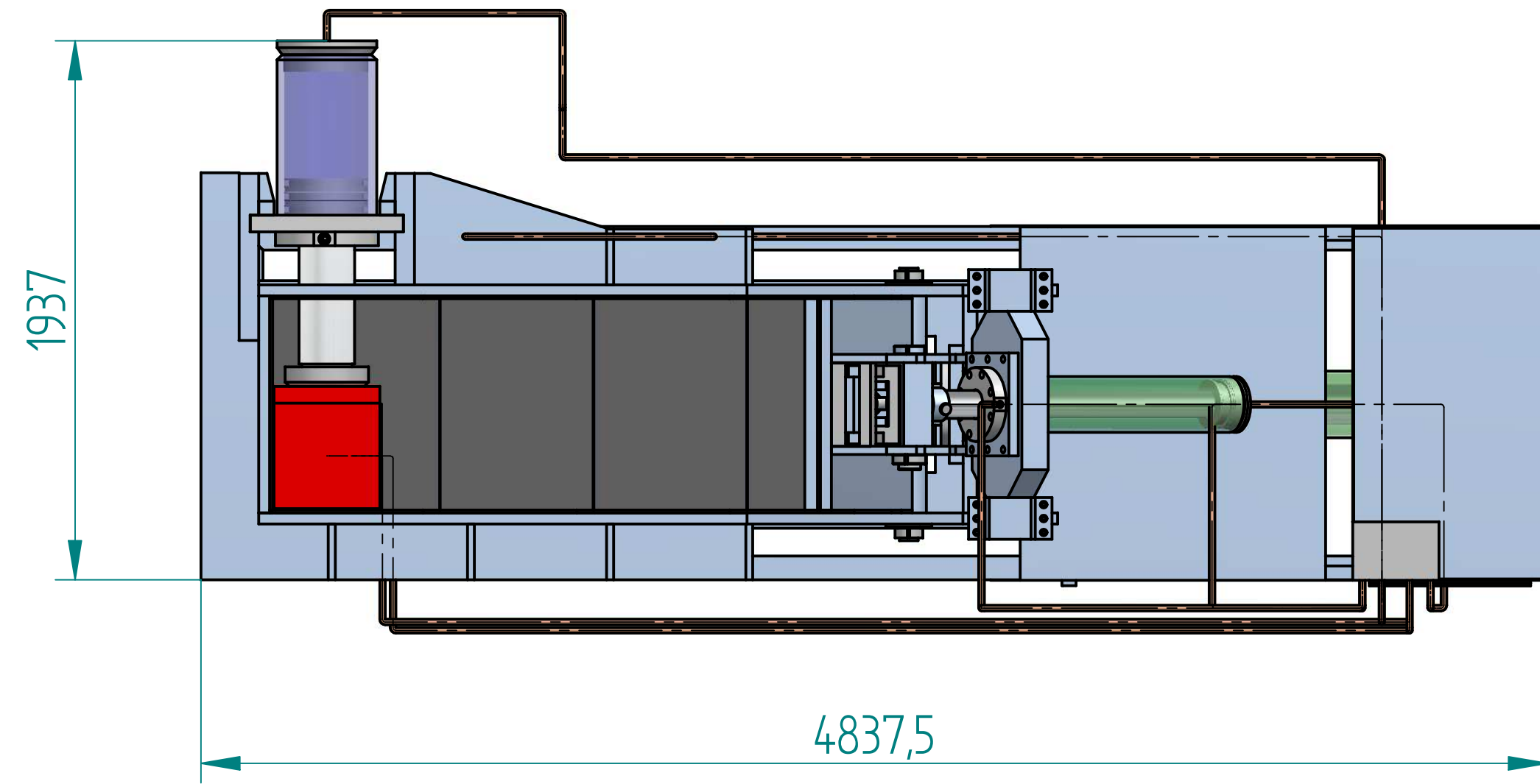


REVISIONS			
REV	DESCRIPTION	DATE	APPROVED

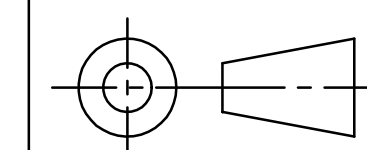


BOX SIZE	380x380x380
CHAMBER SIZE	965x762x1905
WORKING PR (BAR)	225
	PUSH FORCE (TONS)
MAIN CYLINDER	85
TILTING CYLINDER	57
LOCKING CYLINDER	7.010
SIDE CYLINDER	159
LIFTING CYLINDER	14



**MICRO HYDROTECHNIC PVT . LTD**

LINEAR DIMENSIONS		
0	TO 10	±0.05
10	TO 30	±0.10
30	TO 100	±0.15
100	TO 300	±0.20
300	TO 1000	±0.25
1000	TO 2000	±0.50



SCALE.  
NTS.

JOB NO:- MHPL-4

DRAW BY:-NAVEEN

CHKD BY:-

RETURN DATE :-

ISSUE DATE :-

TITLE:- BALLING PRESS  
380X380X380

APPR. :-

Q.C. :-

DRAWING NO:-

QTY:-

MATERIAL:-  
MS