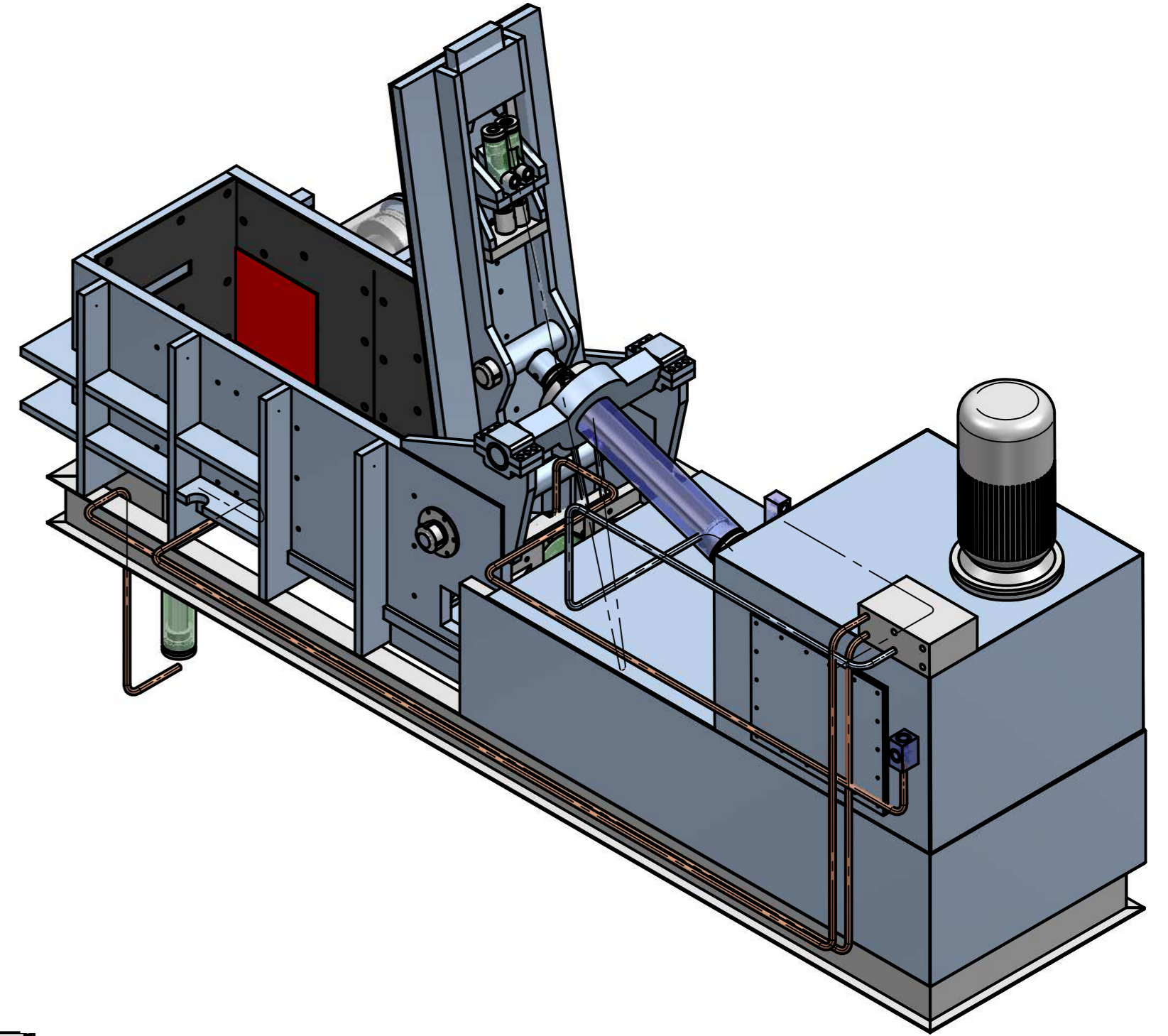
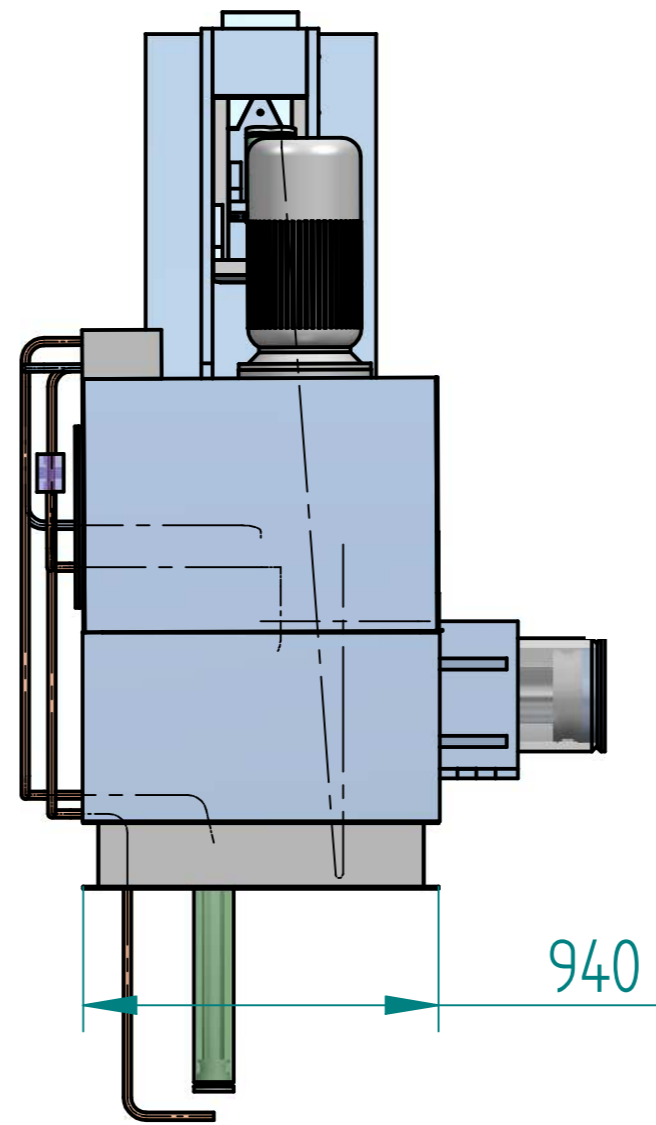
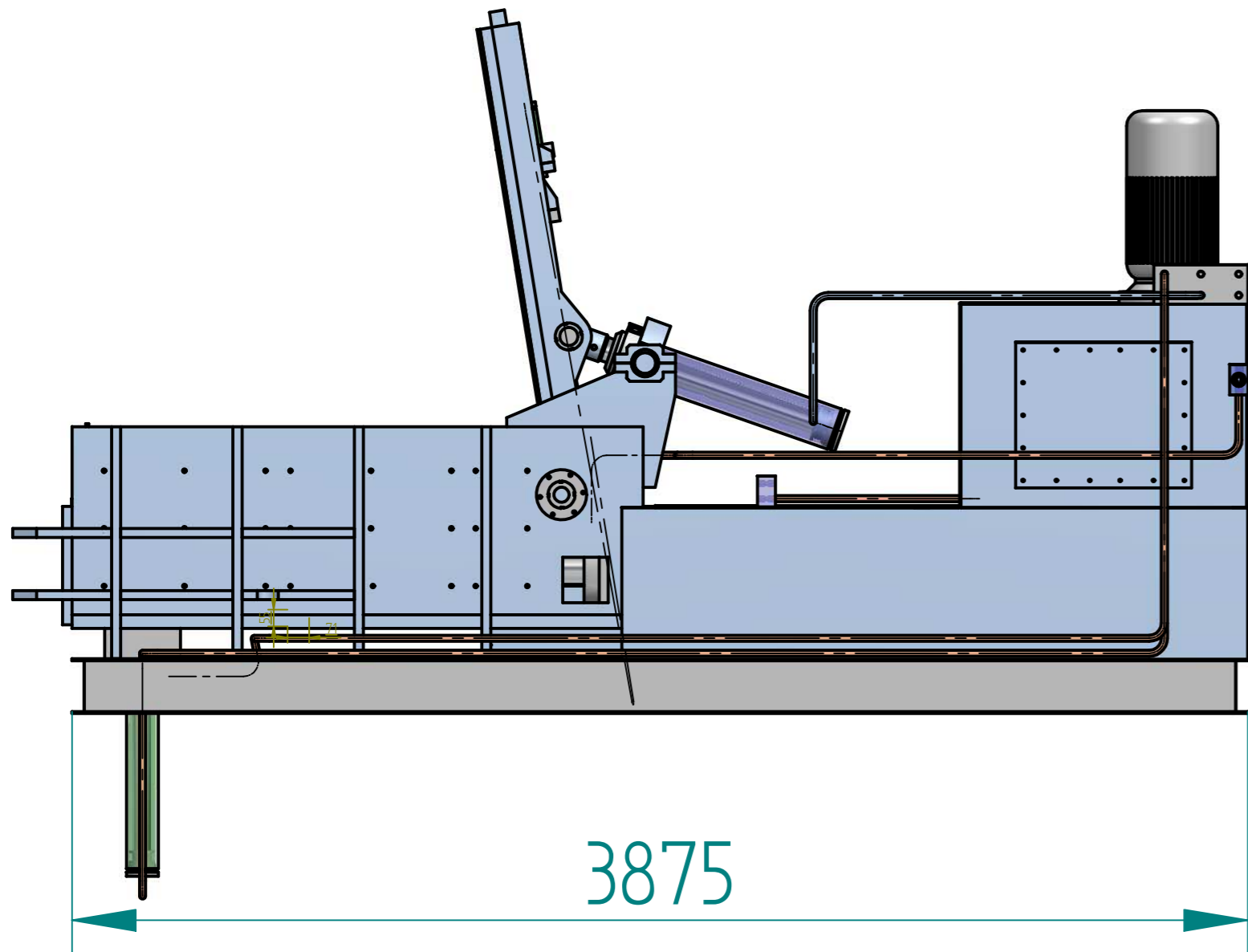
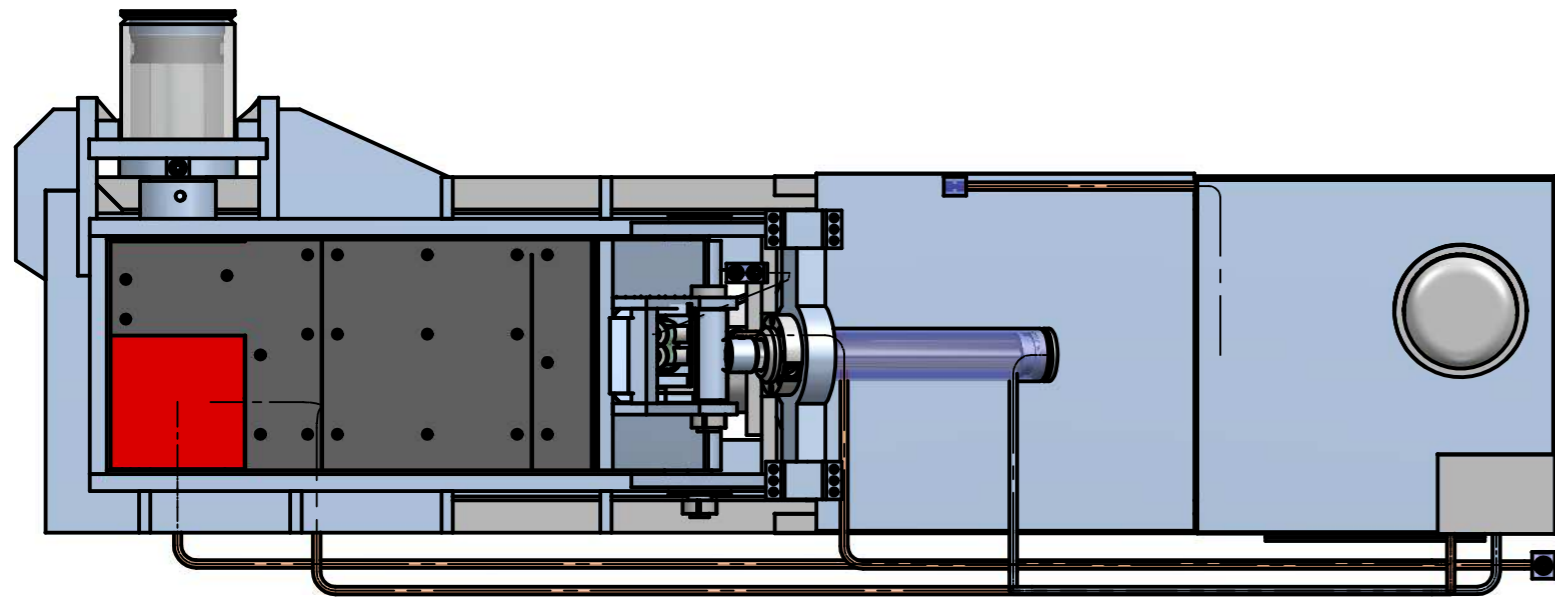


REVISIONS			
REV	DESCRIPTION	DATE	APPROVED



Machine specification	
BOX SIZE	355x355x355
CHAMBER SIZE	610x610x1270
WORKING PR (BAR)	225
	PUSH FORCE (TONS)
MAIN CYLINDER	85.487
TILTING CYLINDER	27.598
LOCKING CYLINDER	7.010
SIDE CYLINDER	110.391
LIFTING CYLINDER	14.307

<i>Micro</i>	MICRO HYDROTECHNIC PVT . LTD			
LINEAR DIMENSIONS		JOB NO:- MHPL 3	TITLE:- BALLING PRESS 355x355x355	
0	TO 10		±0.05	DRAW BY:-NAVEEN
10	TO 30		±0.10	
30	TO 100		±0.15	
100	TO 300		±0.20	
300	TO 1000	±0.25		
1000	TO 2000	±0.50	CHKD BY:-	Q.C. :-
	SCALE:-	RETURN DATE :-	DRAWING NO:- A	
	NTS	ISSUE DATE :-	QTY:-01	MATERIAL:- MS