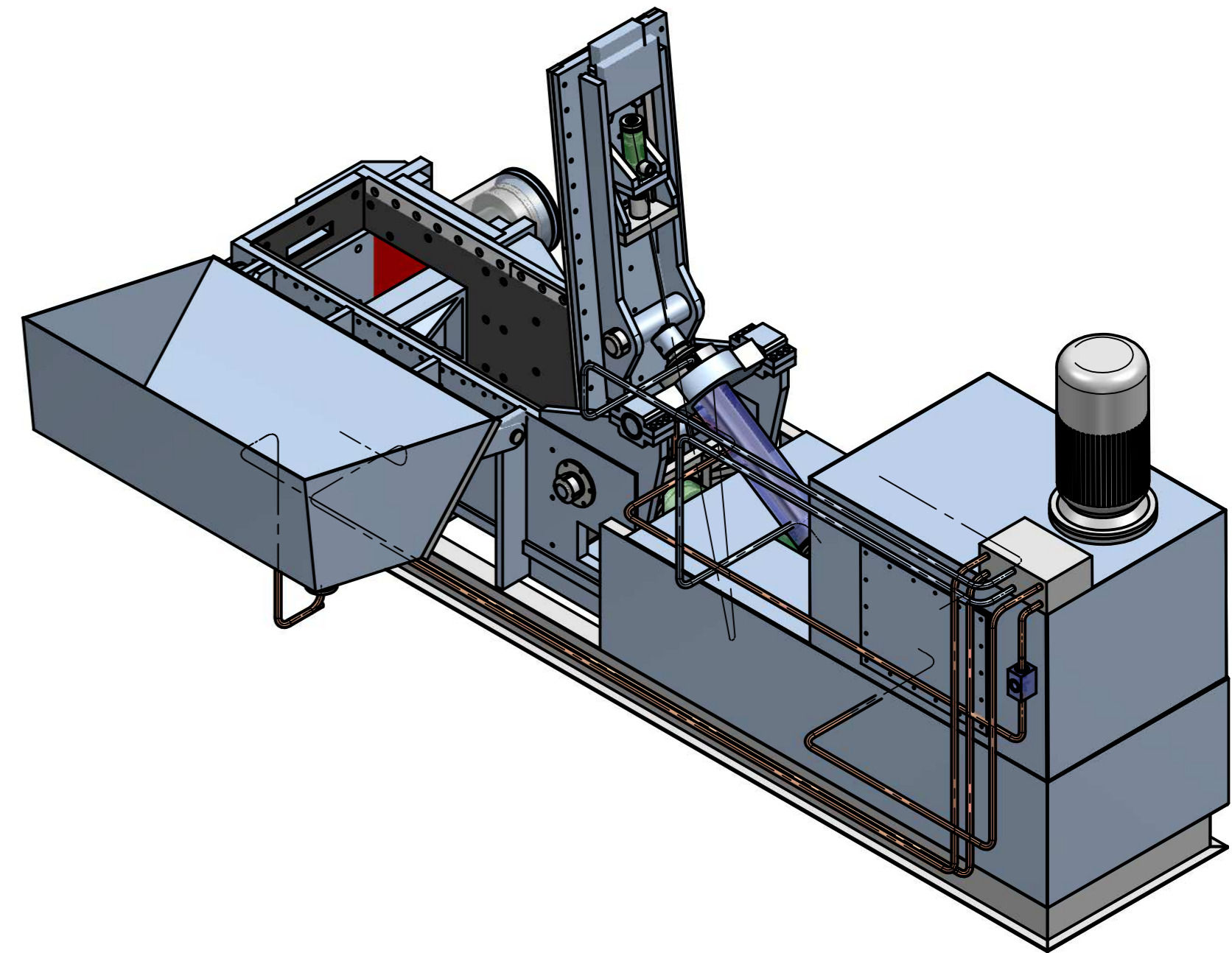
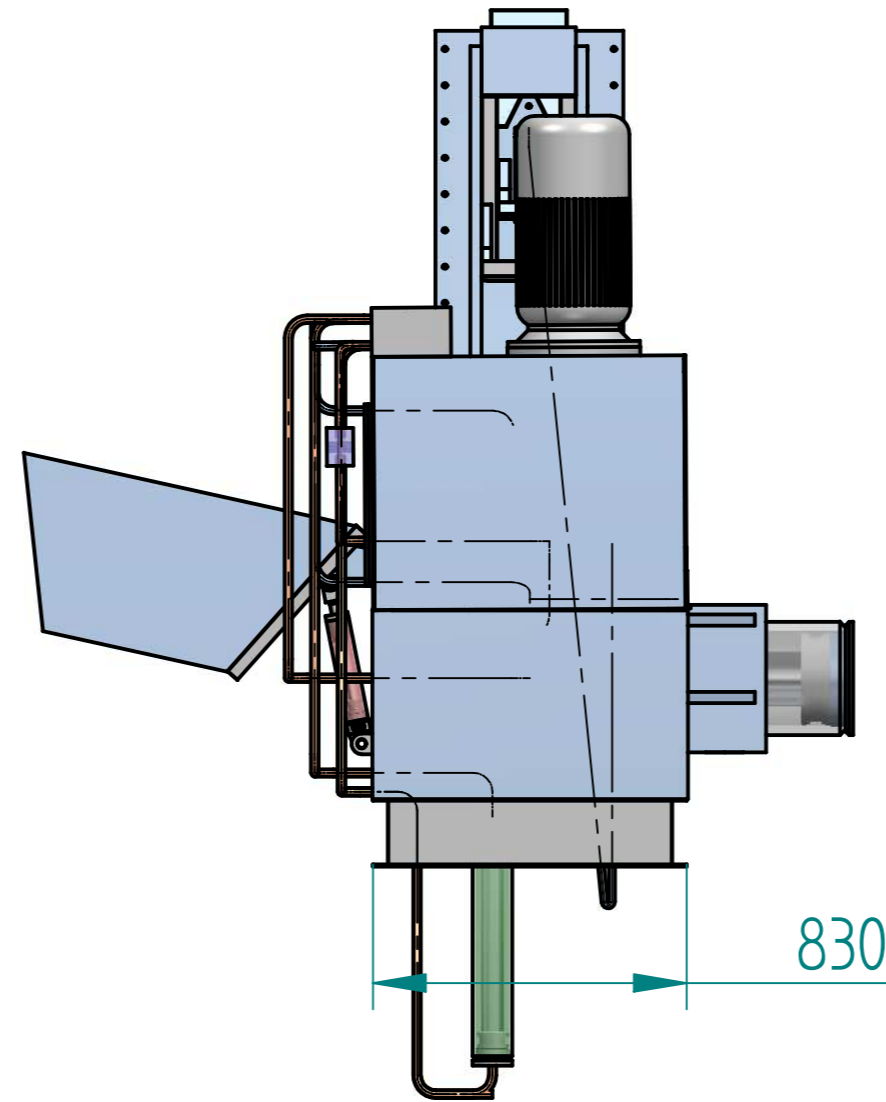
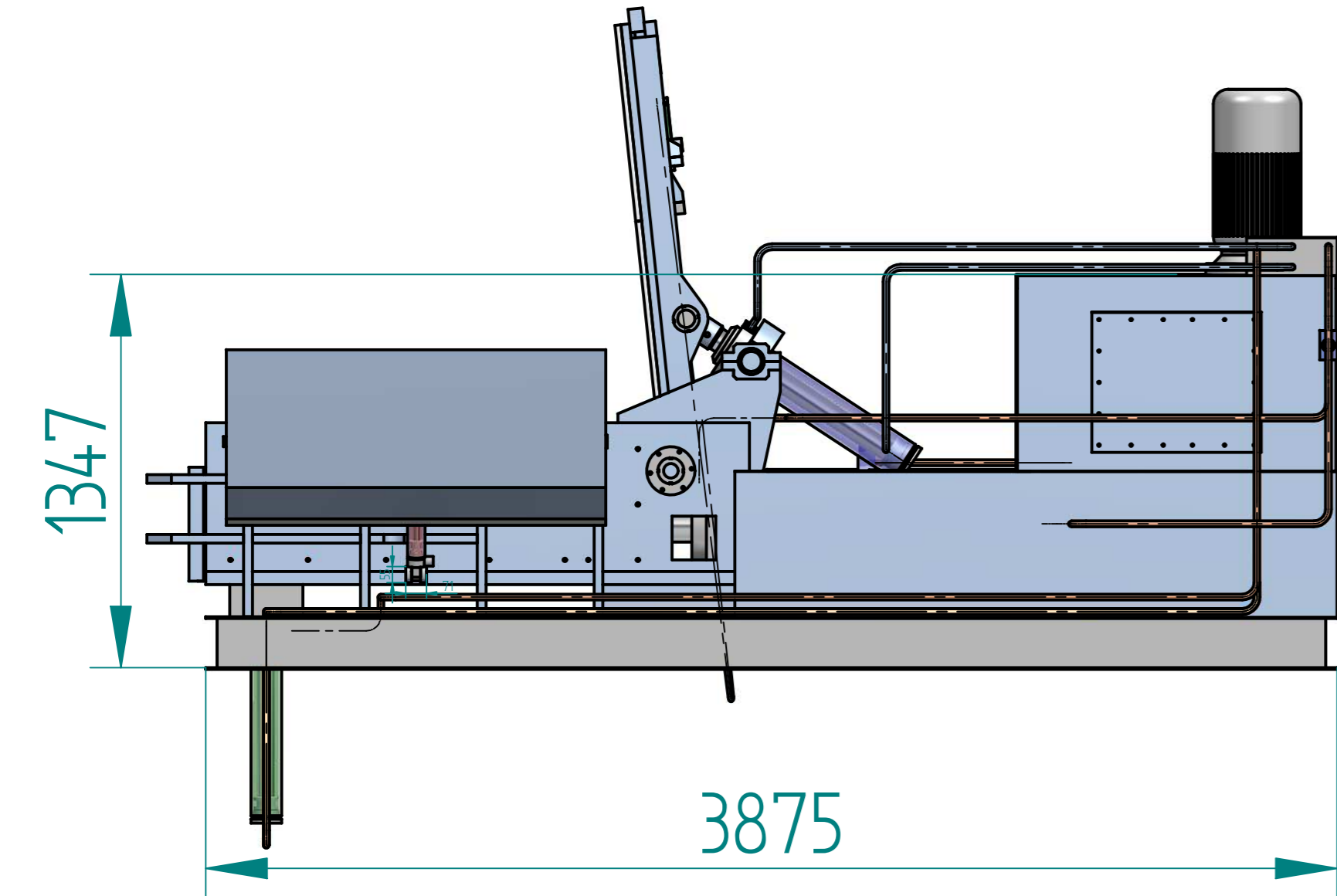
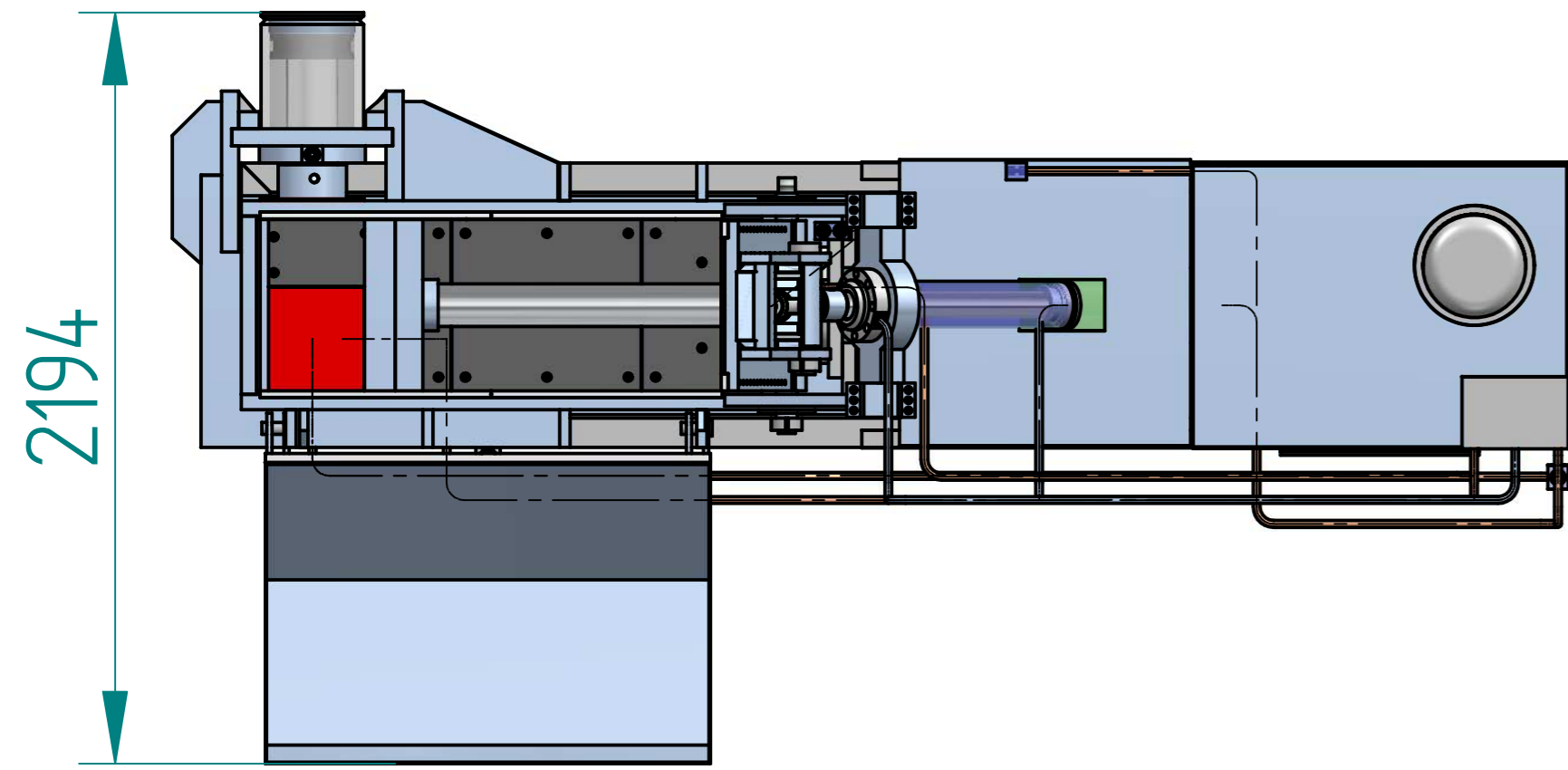


REVISIONS			
REV	DESCRIPTION	DATE	APPROVED



Machine specification		
BOX SIZE	300x300x300	
CHAMBER SIZE	1300X500X500	
WORKING PR (BAR)	225	
	PUSH FORCE (TONS)	PULL FORCE IN (TONS)
MAIN CYLINDER	85.487	45.746
TILTING CYLINDER	27.598	16.294
LOCKING CYLINDER	7.010	4.184
SIDE CYLINDER	110.391	70.650
LIFTING CYLINDER	14.307	11.481
HOPPER	7.010	4.184

<i>Micro</i>	MICRO HYDROTECHNIC PVT . LTD				
LINEAR DIMENSIONS		JOB NO:- MHPL 2	TITLE:- BALLING PRESS 300x300x300		
0	TO 10		±0.05	DRAW BY:-NAVEEN	APPR. :-
10	TO 30	±0.10			
30	TO 100	±0.15	CHKD BY:-	Q.C. :-	
100	TO 300	±0.20			
300	TO 1000	±0.25	RETURN DATE :-	DRAWING NO:- A	
1000	TO 2000	±0.50			
		SCALE:- NTS	ISSUE DATE :-	QTY:-01	MARTIAL:- MS