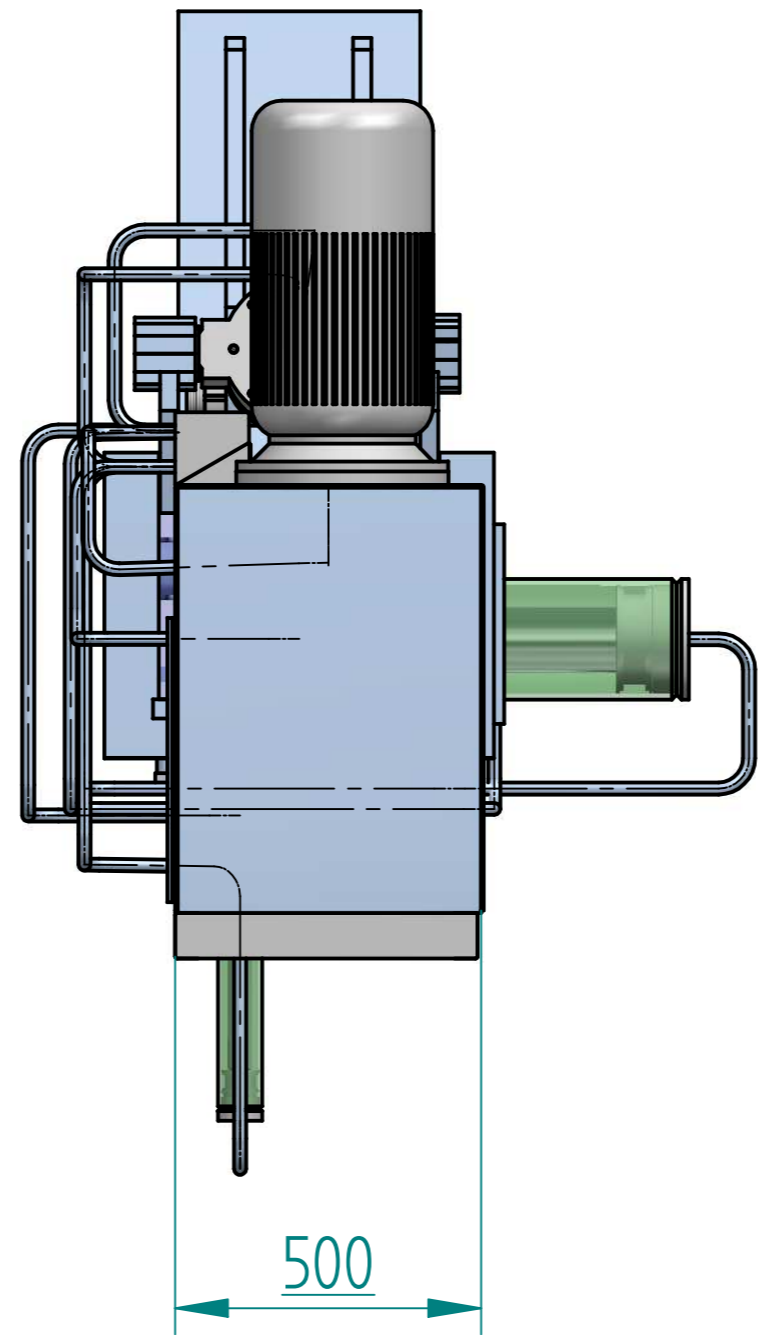
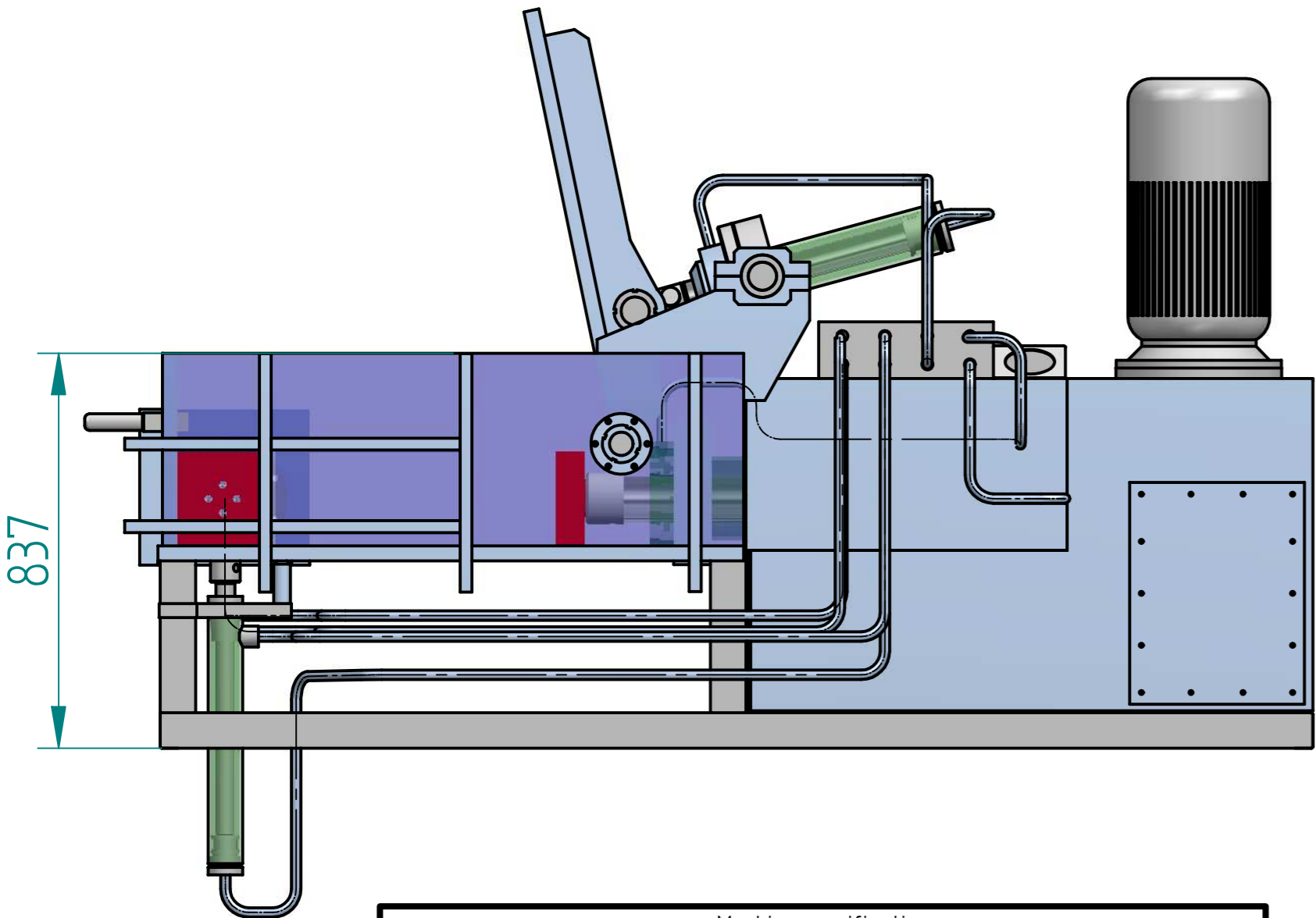
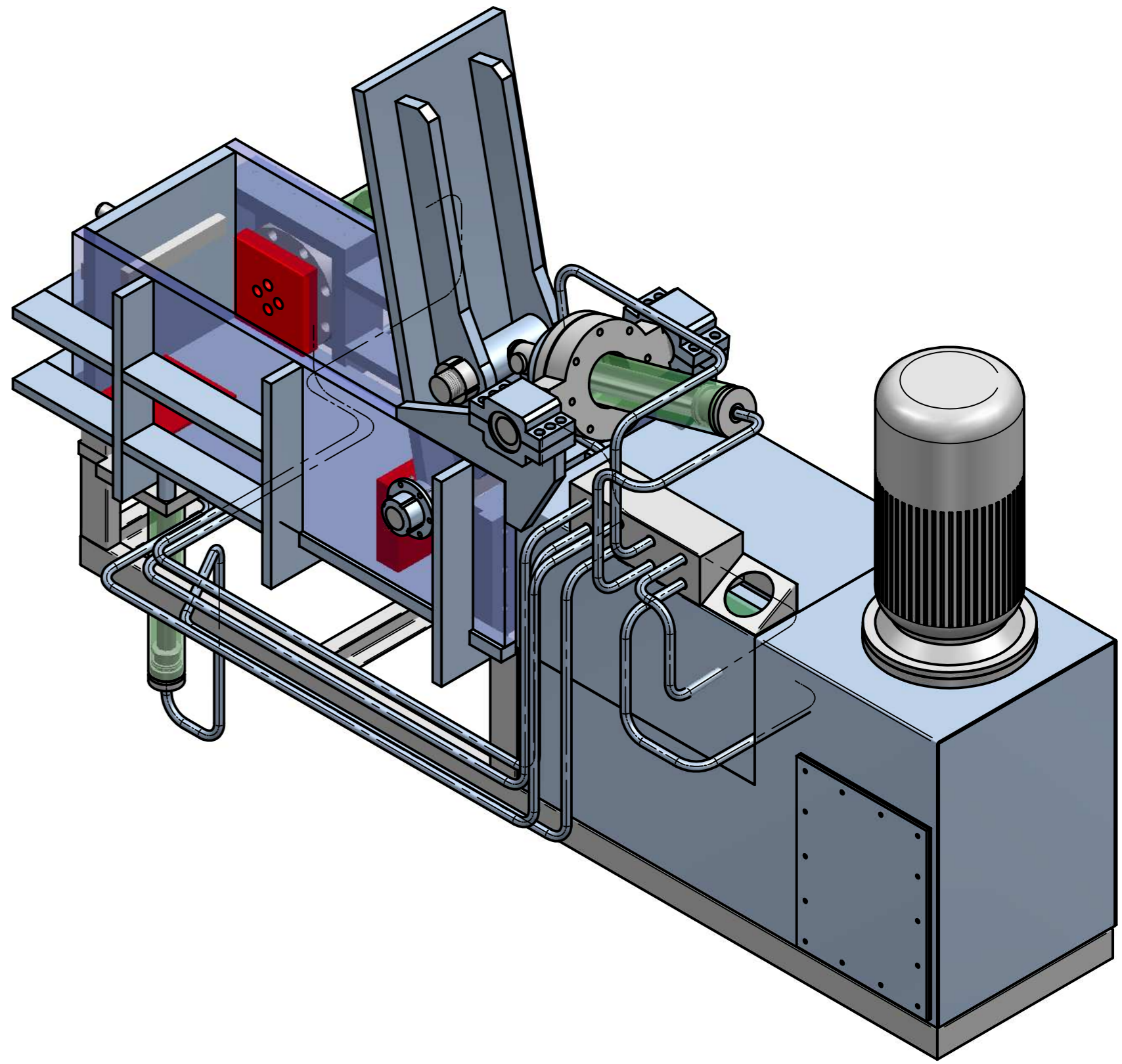
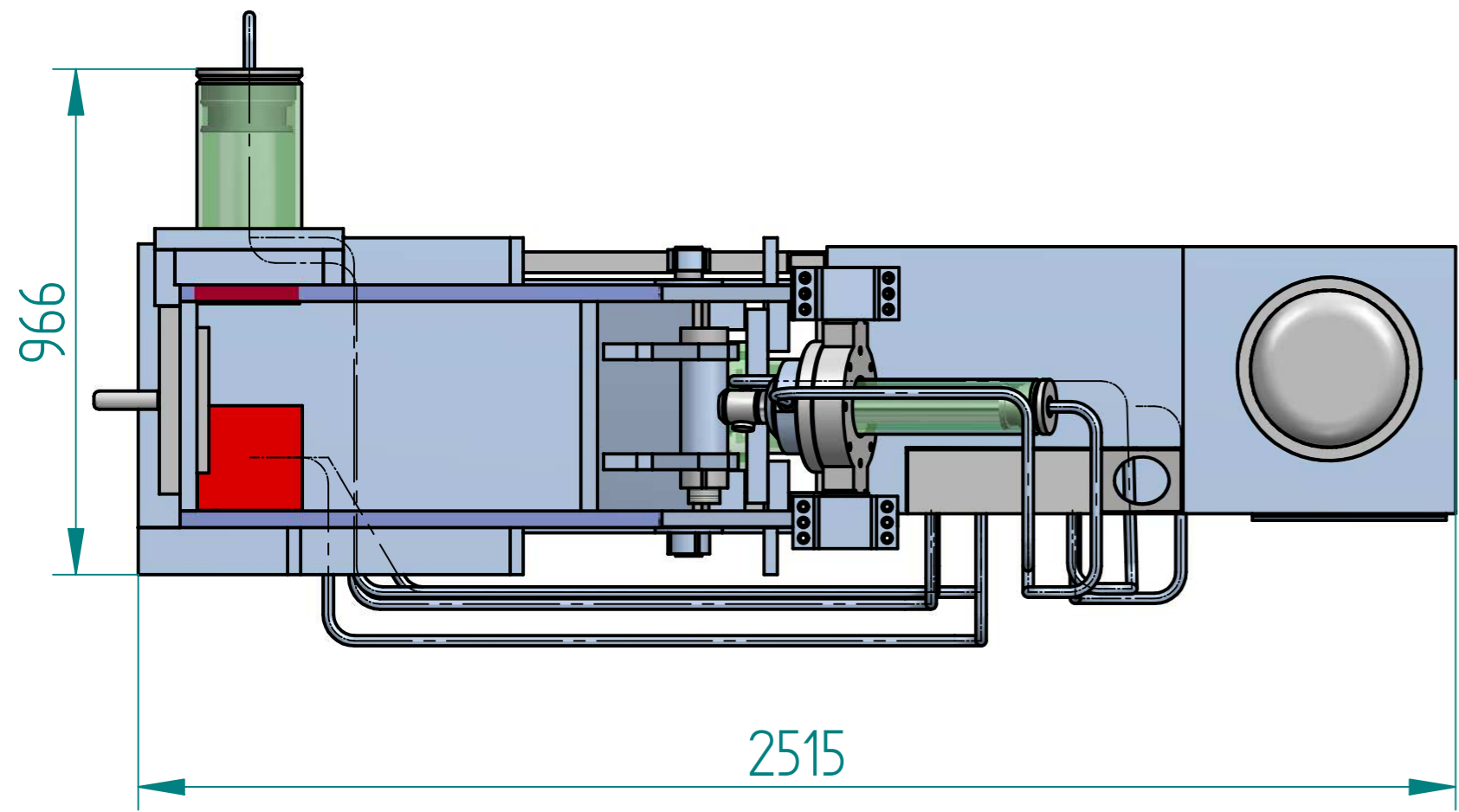


| REVISIONS | | | |
|-----------|-------------|------|----------|
| REV | DESCRIPTION | DATE | APPROVED |
| | | | |



| Machine specification | | |
|-----------------------|-------------------|----------------------|
| BOX SIZE | 200X200X200 | |
| CHAMBER SIZE | 780X430X410 | |
| WORKING PR (BAR) | 225 | |
| | PUSH FORCE (TONS) | PULL FORCE IN (TONS) |
| MAIN CYLINDER | 70.650 | 43.052 |
| TILTING CYLINDER | 14.307 | 7.296 |
| LOCKING CYLINDER | 7.010 | 4.184 |
| SIDE CYLINDER | 57.227 | 39.564 |
| LIFTING CYLINDER | 7.010 | 4.184 |

MICRO HYDROTECHNIC PVT . LTD

| LINEAR DIMENSIONS | | |
|-------------------|---------|-------|
| 0 | TO 10 | ±0.05 |
| 10 | TO 30 | ±0.10 |
| 30 | TO 100 | ±0.15 |
| 100 | TO 300 | ±0.20 |
| 300 | TO 1000 | ±0.25 |
| 1000 | TO 2000 | ±0.50 |

| | |
|-----------------|--------------------------------------|
| JOB NO:- MHPL-1 | TITLE:- balling press 200x200x200 |
| DRAW BY:-NAVEEN | APPR. :- |
| CHKD BY:- | Q.C. :- |
| RETURN DATE :- | DRAWING NO:- |
| ISSUE DATE :- | QTY:- 00 |
| | MARTIAL:- MS |

SCALE:- NTS